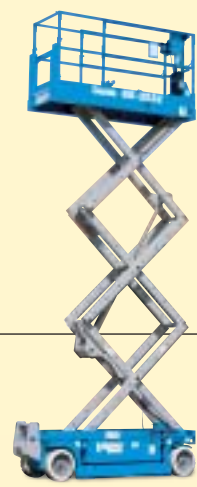




Electric  
Self-Propelled  
Scissor Lift

GS-2032™

○ A stable, reliable and easy to operate lift with a built-in platform extension.



## GS-2032

- The solid steel deck platform has a slip-resistant surface.
- Heavy duty square steel guardrails maximize durability.
- Lubrication-free, service-free pivot points.
- Built-in lanyard attachment points.
- Weather resistant, impact resistant, injection-molded Joystick Carrier / Controller box operates from the platform or the ground.
- Low noise level allows operation in quiet work environments.
- High angle steering provides excellent maneuverability.

- Swing-out battery box and power module allow easy access to componentry.
- Variable speed motor extends battery and motor life by using only the energy needed to do the required work.
- On-board troubleshooting diagnostics notify the operators of possible fault conditions.

### Standard Features

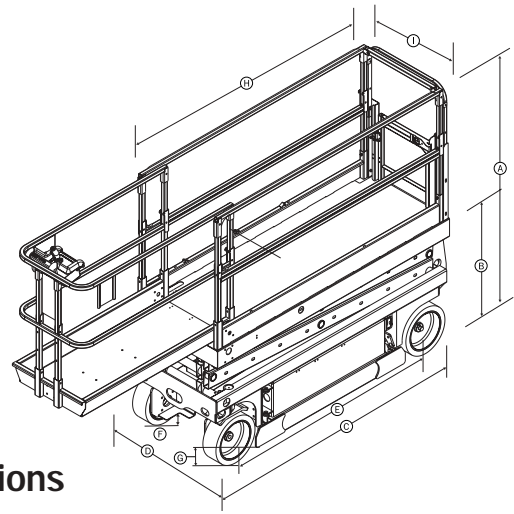
- GS-2032 has 26 ft (7.9 m) working height
- 39 in (1 m) roll-out platform extension
- Compact 32 in (81 cm) width
- 800 lb (363 kg) lift capacity
- Proportional controls for lift and drive functions
- Automatic 25 amp battery charger
- Manual platform lowering valve
- Emergency stop switches at both platform and ground controls
- Drive speed interlock limits speed while elevated
- Multiple disc brakes provide smooth deceleration
- Manual brake release
- Pothole guards
- Non-marking tires
- AC wiring to platform
- Tilt sensor with an audible alarm
- Beeper horn
- Hour meter

### Options and Accessories

- Motion alarm
- Power inverter
- Platform swing gate
- Air line to platform
- EE rating
- Dual flashing beacon
- Automotive horn
- Folding guardrails with platform swing gate
- Maintenance-free batteries
- Pipe cradle

### Standards Compliance

- ANSI/SIA A92.6
- CE compliance option
- AS 1418.10
- CSA CAN3-B354.2-M82



### Specifications

Model	GS-2032	
	US	Metric
Working height*	26 ft	8.1 m
Platform height	20 ft	6.1 m
Sliding rail design (standard)		
Ⓐ Height stowed, ANSI, CSA	78 in	2 m
Height stowed, CE	83 in	2.11 m
Height stowed, rails lowered	76 in	1.93 m
Fold down rail design (optional)		
Height stowed	83 in	2.11 m
Height stowed, rails folded	68 in	1.73 m
Ⓑ Platform height -stowed	38 1/2 in	98 cm
Ⓒ Length - stowed	96 in	2.44 m
Ⓓ Width	32 in	81 cm
Ⓔ Wheelbase	73 in	1.85 m
Ⓕ Ground clearance -at machine center	4 in	10 cm
Ⓖ Ground clearance -pothole guards deployed	7/8 in	2 cm
Ⓗ Platform length	89 in	2.26 m
Ⓘ Platform width	31 in	79 cm
Platform length extended	128 in	3.25 m
Guardrail height		
ANSI, CSA	39 in	1 m
CE	43 in	1.1 m
Toeboard height	6 in	15 cm
Lift capacity	800 lb	363 kg
Extension deck lift capacity	250 lb	113 kg
Turning radius outside	92 in	2.34 m
Turning radius inside	zero	
Power source	24V (4 6V 245AH batteries)	
Drive speed - stowed	2.2 mph	3.5 km/h
Drive speed - raised	0.5 mph	0.8 km/h
Raise/lower speed	30/26 sec	
Controls	24V DC proportional	
Tires (solid rubber)	15 x 5 x 11 in	38 x 13 x 28 cm
Gradeability	30%	30%
Drive	dual front wheel	
Multiple disc brakes	dual rear wheel	
Weight	3,503 lb	1,589 kg

\*The metric equivalent of working height adds 2 m to platform height. U.S. adds 6 ft to platform height.

Distributed By:

## Genie Industries

### GENIE UNITED STATES

18340 NE 76th Street  
P.O. Box 97030  
Redmond, Washington 98073-9730  
Telephone (425) 881-1800  
Toll Free in USA/Canada 800-536-1800  
Fax (425) 883-3475  
<http://www.genieindustries.com>

### GENIE UNITED KINGDOM

The Maltings, Wharf Road  
Grantham  
Lincolnshire NG31 6BH  
England  
Telephone: +44 (0)1476 584333  
Fax: +44 (0)1476 584334  
<http://www.genieindustries.com>